

EDGE CARD CONNECTOR FOR FAN MODULE APPLICATION MANUAL

Report No. IS-201811-001
Product Name: EDGE CARD CONNECTOR FOR FAN MODULE
Issue Date: Feb 04, 2020

Revision Description

Revision	Revision History	DATE
1.0	Initial release.	Nov 07, 2018
2.0	Part No.update	Feb 04, 2020

1. INTRODUCTION

- 1.1 EDGE CARD CONNECTOR FOR FAN MODULE GFMF01 series assembly concept is shown in Figure 1 and sectional view shown in Figure 2
- 1.2 EDGE CARD CONNECTOR FOR SMART FAN MODULE GFMF04 series assembly concept is shown in Figure 3 and sectional view shown in Figure 4

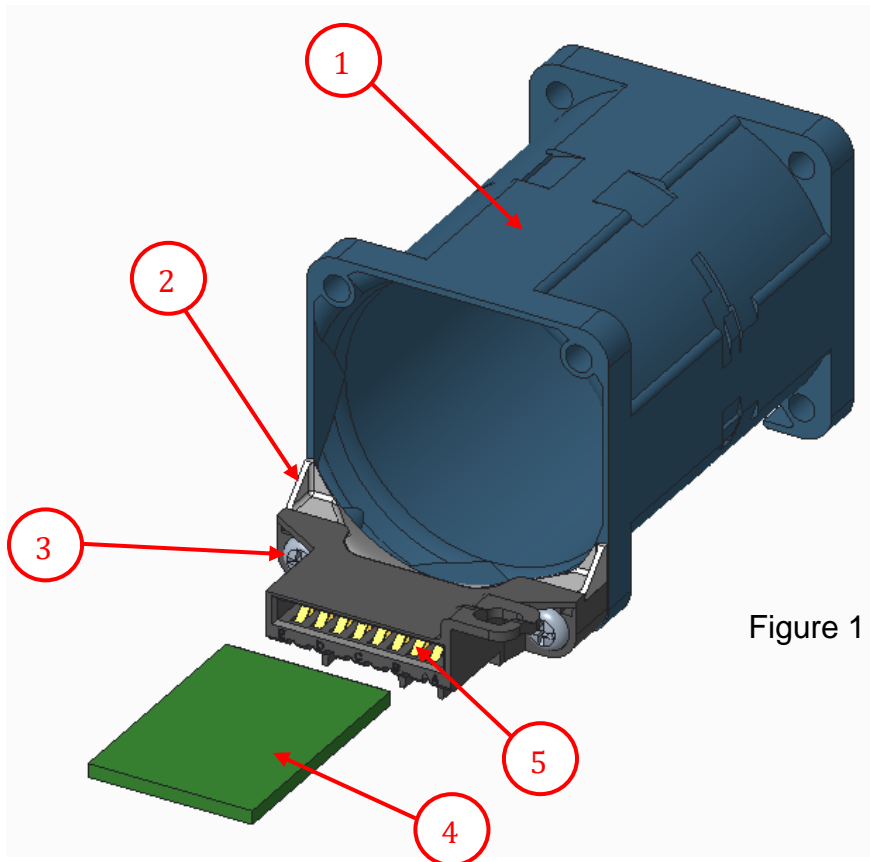


Figure 1

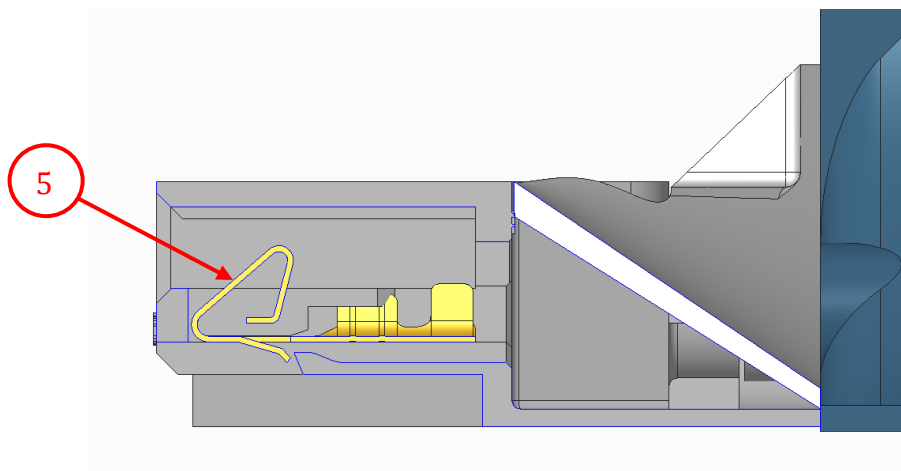


Figure 2

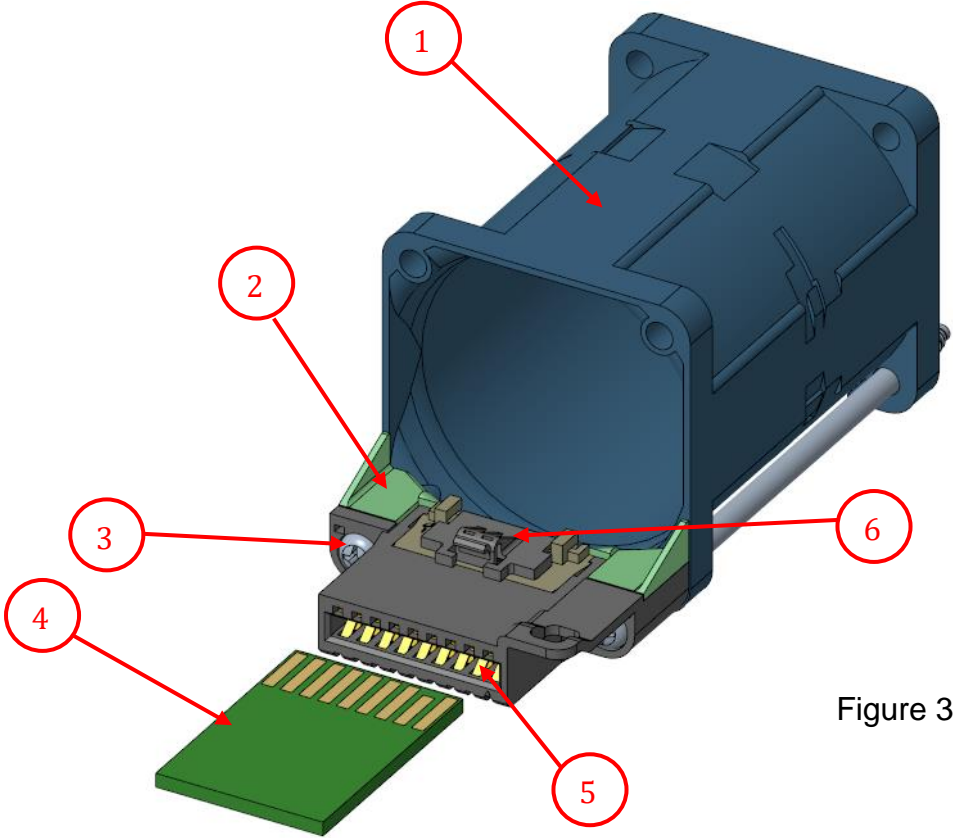


Figure 3

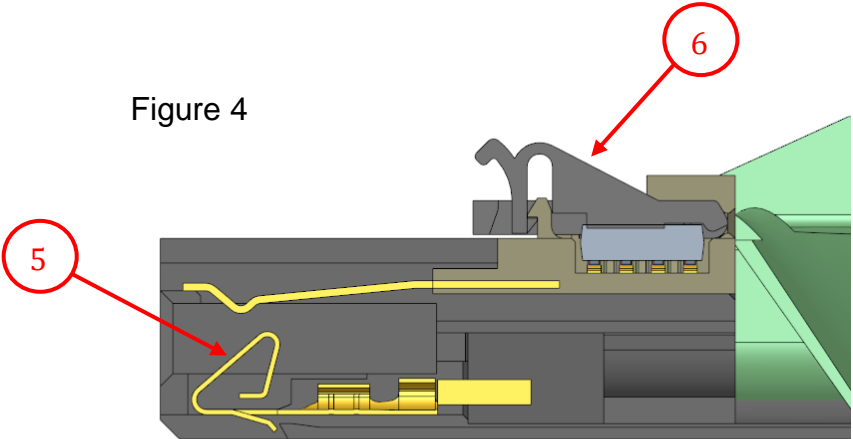
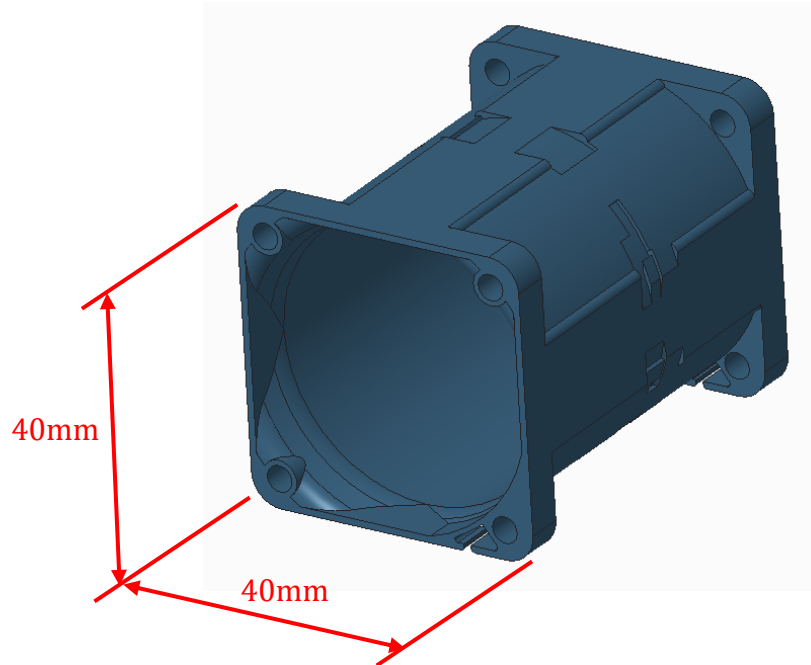


Figure 4

2. DESCRIPTION

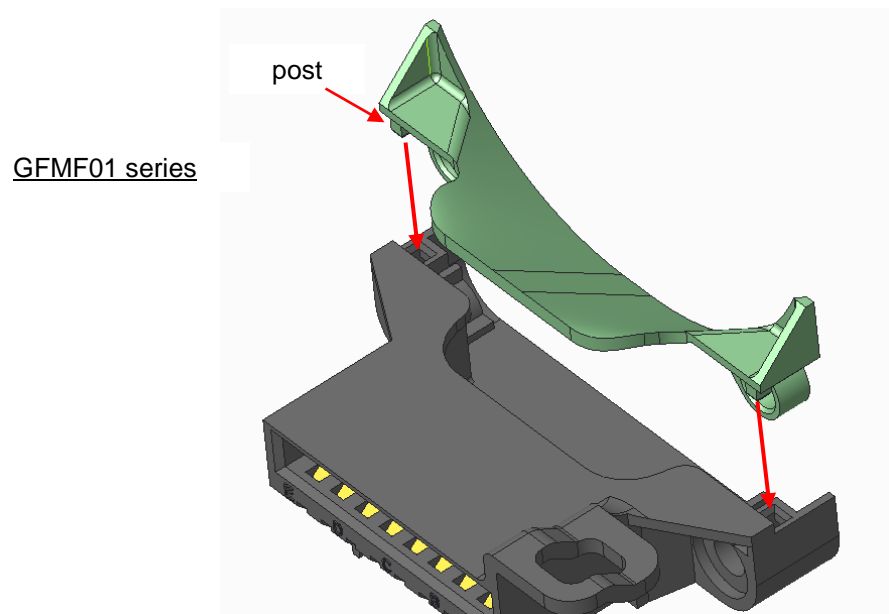
2.1 ① : Fan

Type : 40mm x 40mm screw hole pitch 32mm

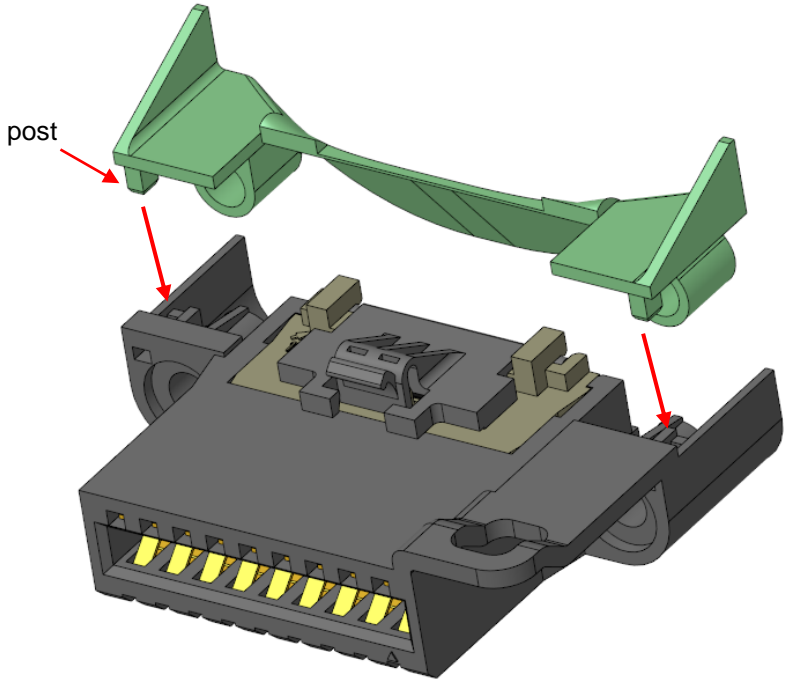


2.2 ② : Cover

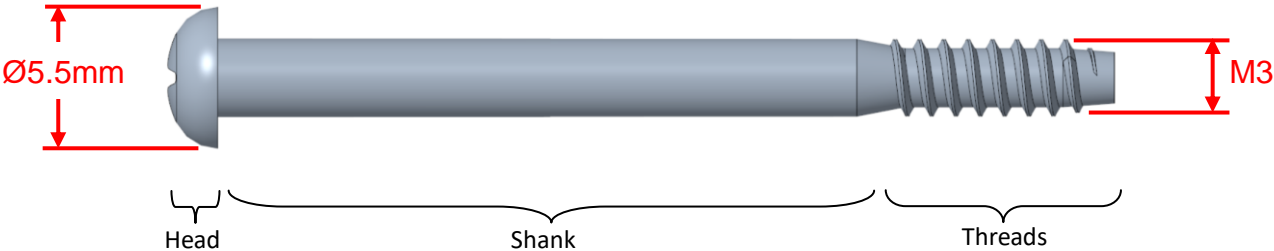
Note : The post of cover must insert into the holes.



GFMF04 series

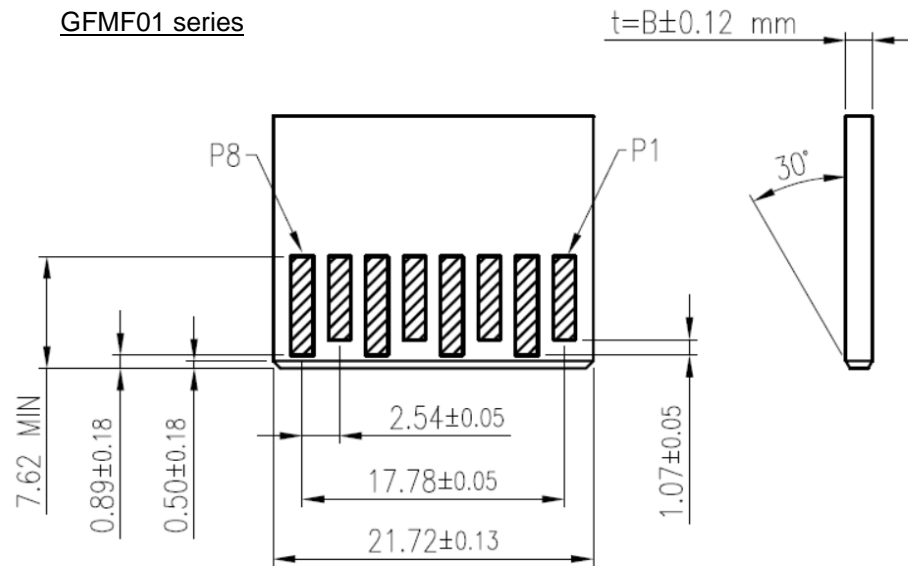


2.3 ③ : Tapping screw
Type : Tapping screw round/button/pan head

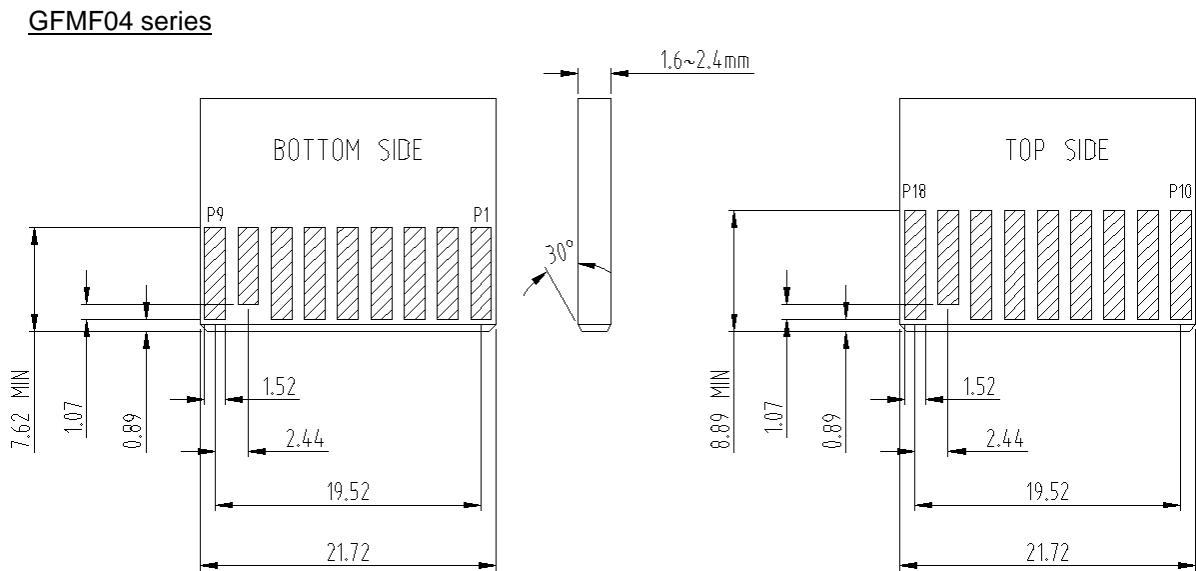


2.4 ④ : PCB

Note : The detail dimension please refer to the customer drawing.

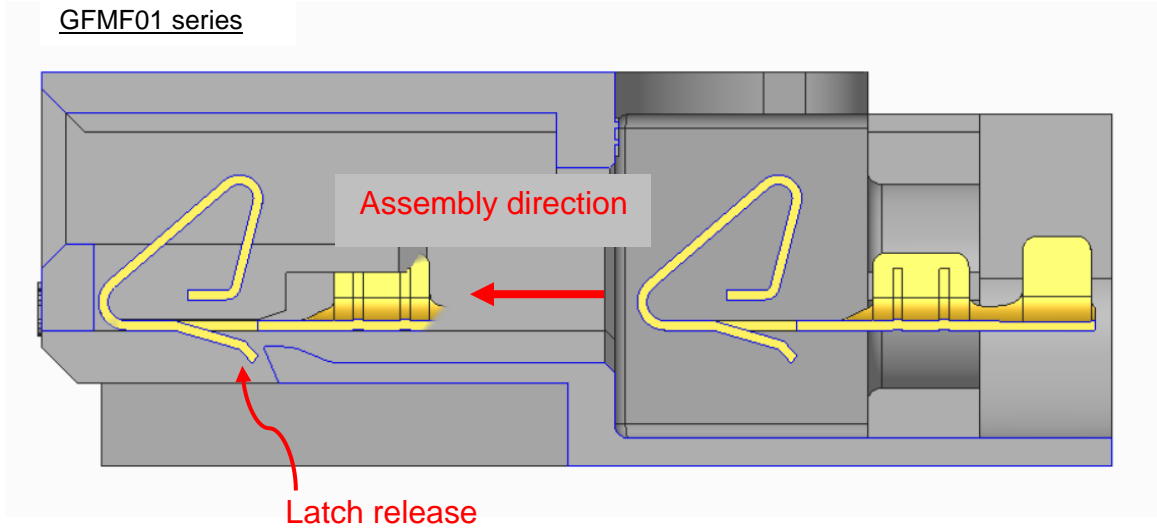


PCB LAYOUT CONTACT SIDE

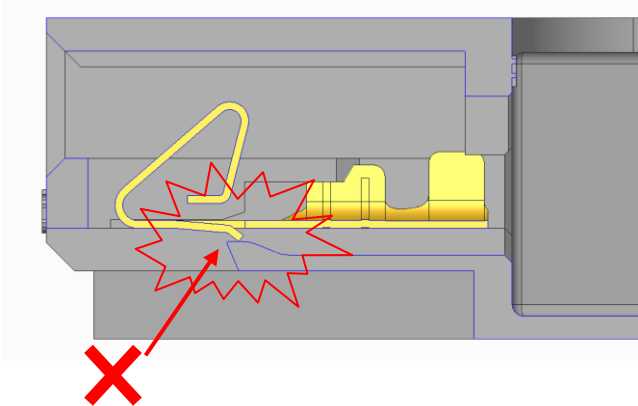


PCB LAYOUT

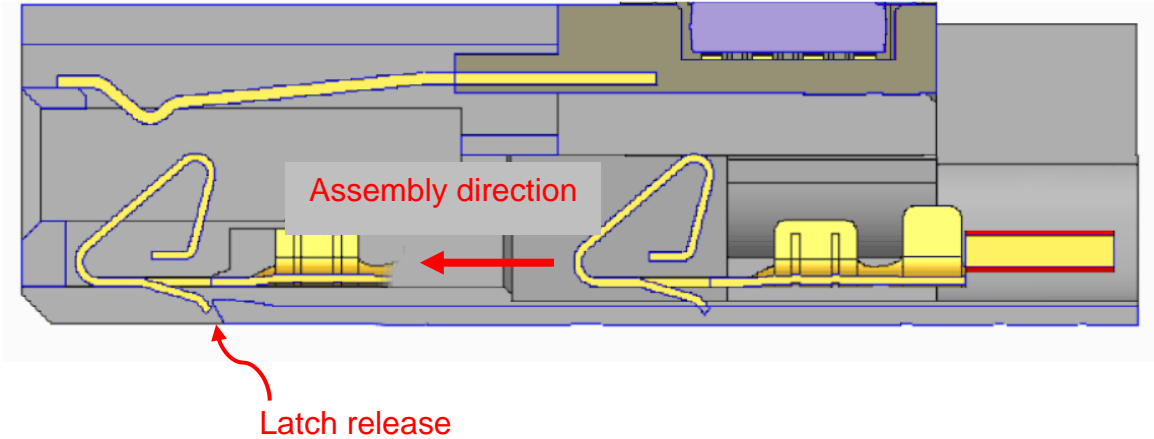
2.5 ⑤ : Terminal



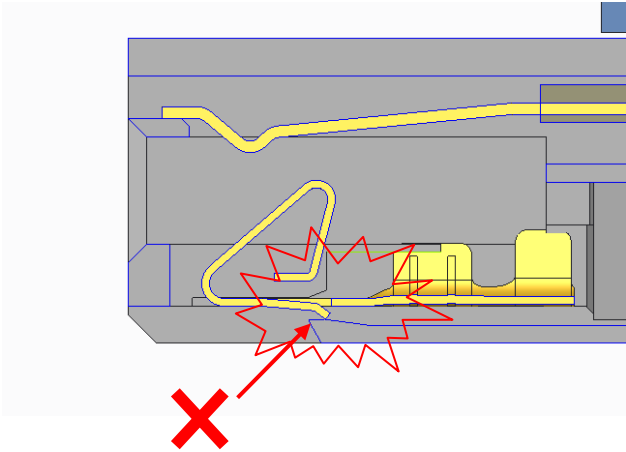
GFMF01 series



GFMF04 series



GFMF04 series

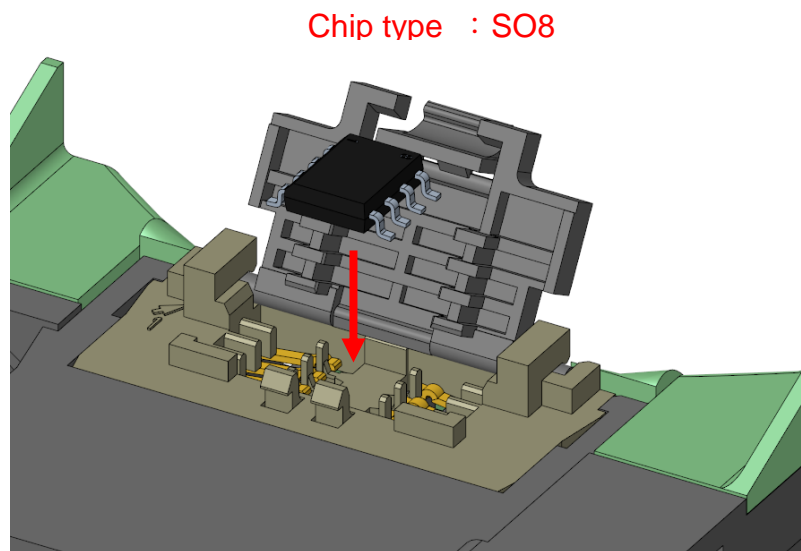


2.6 ⑥ : Chip set module (GFMF04 series only)

2.6.1 Make sure the chip set is in the correct position before closing the cover.

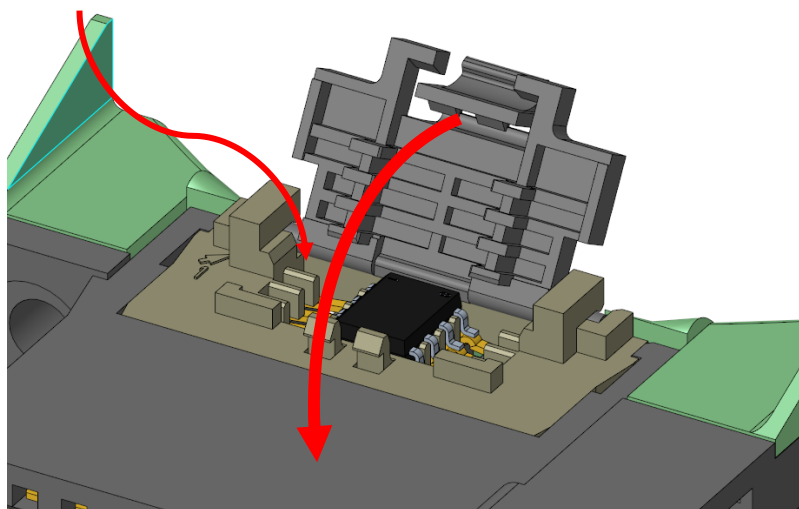
2.6.2 Chip set's detail information please refer to the maker specification.

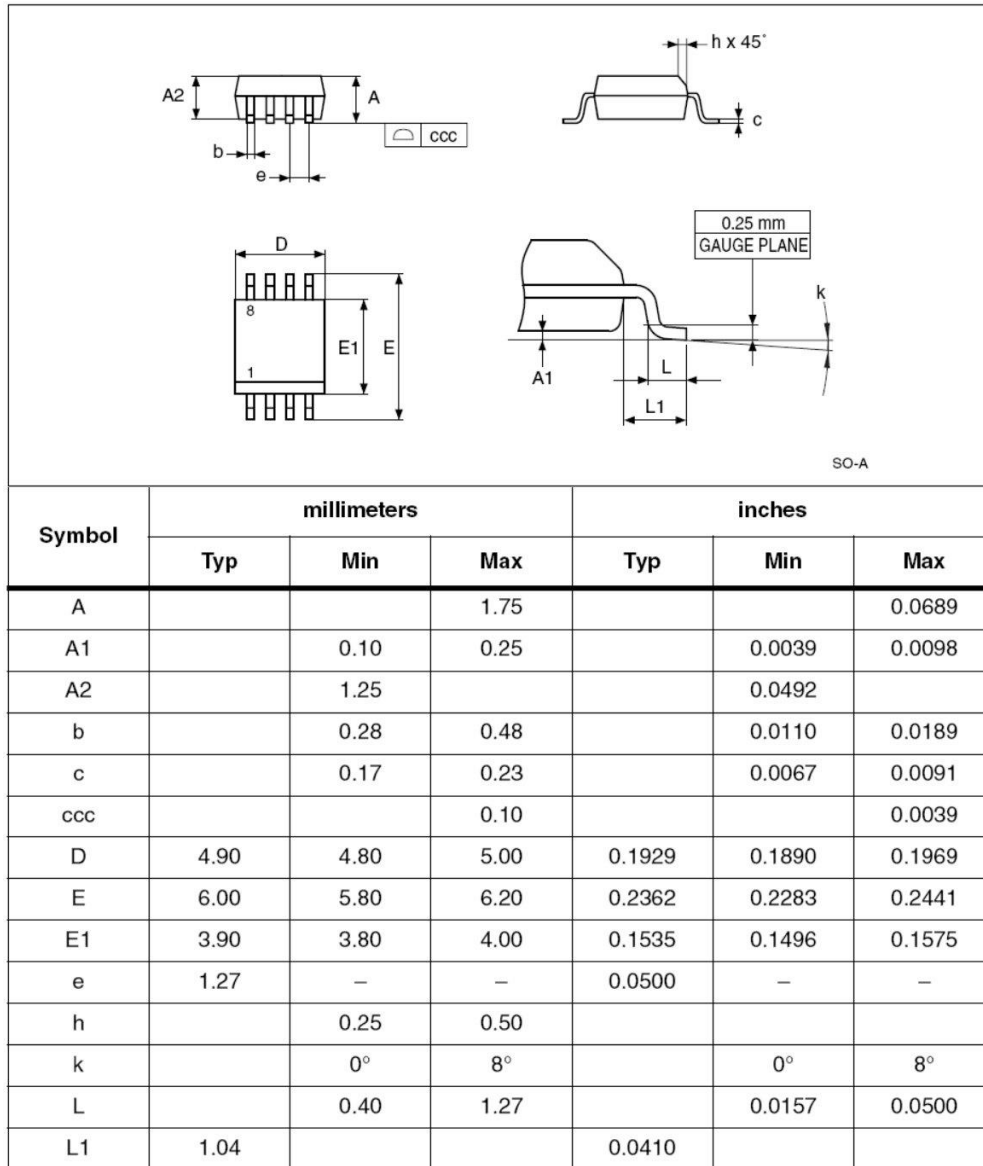
STEP 1



STEP 2

Pin 1 location





3. Note

- 3.1 The wires used in the terminals : AWG 28 ~ AWG 22
- 3.2 Product current rating : 4 A maximum.
- 3.3 The Smart fan module is currently only available for SO8 chip set.